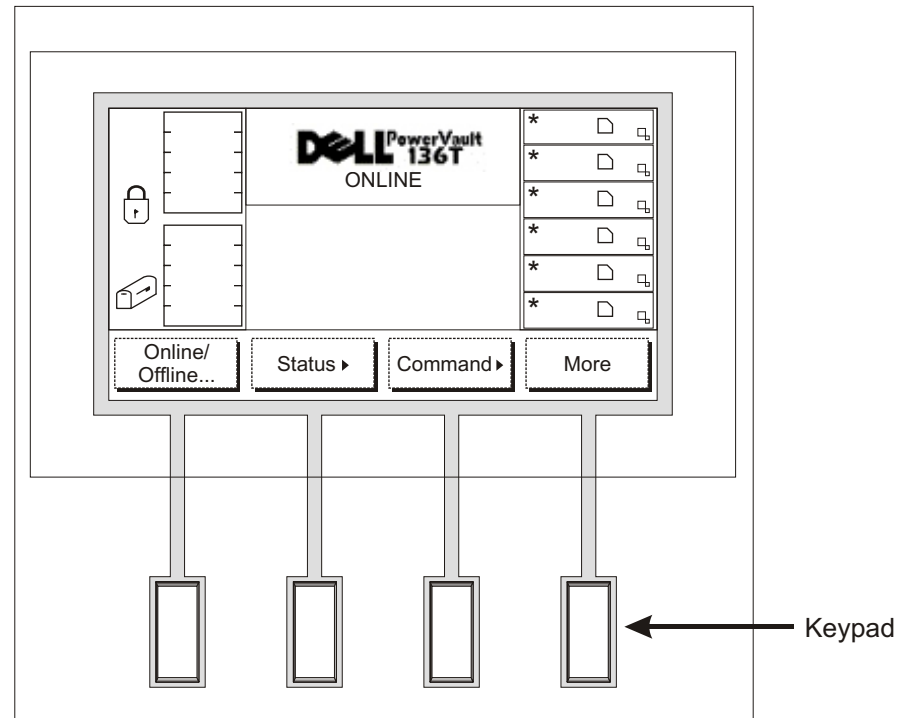


# Dell™ PowerVault™ 136T Library Quick Start Guide

## Selected Indicators and Controls



Operator Panel

**LCD Display:** The LCD display on the Operator Panel is divided into four discrete areas: leftmost, upper center, rightmost, and lower center.

**Leftmost:** This area of the display provides constant status about the Mailbox.

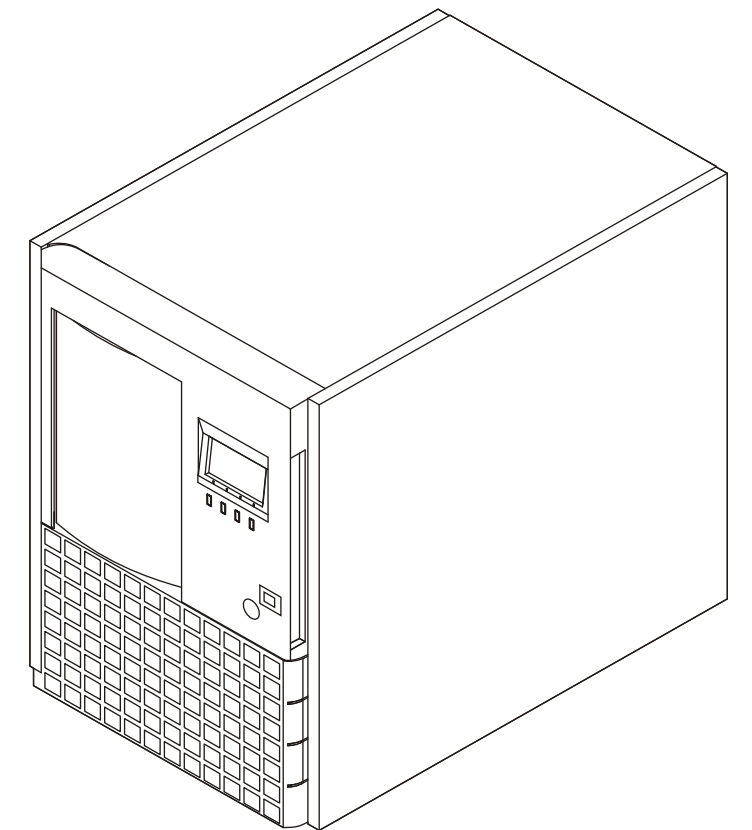
**Upper center:** This area of the display provides informational, status, and attention messages.

**Rightmost:** This area of the display provides constant status about the drives.

**Lower center:** This area of the display is comprised of 6 lines of 20 characters per line and provides text and graphics to communicate interactive dialogs, special messages, alerts, and library configurations.

Refer to the *Operation* section of the PowerVault 136T Library User's Guide for complete descriptions of special symbols and messages that can be displayed on the Operator Panel.

Please visit [support.dell.com](http://support.dell.com) for the latest OS drivers and patches for the PowerVault 136T Library.



Follow the steps in this guide to quickly get started using your PowerVault 136T Library

Please refer to the PV-136T Library User's Guide CD-ROM to view this Quick Start Guide in French, German, Spanish, Japanese, Korean, or Simplified Chinese.

Veillez vous référer au CD-ROM du Guide de l'utilisateur de la Bibliothèque PV-136T pour obtenir une version de ce Guide de démarrage rapide en anglais, allemand, espagnol, japonais, coréens ou chinois simplifié.

Beziehen Sie sich auf die Handbuch-CD-Rom der PV-136T Bibliothek, um dieses Schnellstart-Handbuch auf französisch, deutsch, spanisch, japanisch, koreanisch oder in vereinfachtem chinesisich zu lesen.

Favor de consultar el CD-ROM de la Guía del Usuario de la Biblioteca PV-136T para ver esta Guía de Rápido Inicio en francés, alemán, español, japonés, coreano, o chino simplificado.

本ガイドをフランス語・ドイツ語・スペイン語・日本語・韓国語・簡体中国語のいずれかでご覧になりたい方は、PV-136T Library ユーザーガイドCD-ROMを参照してください。

본 간단한 사용 설명서를 프랑스어, 독일어, 스페인어, 일본어, 한국어, 또는 중국어(간체)로 보려면 PV-136T 라이브러리 사용자 안내서 CD-ROM을 참조하십시오.

请参考PV-136T Library用户手册光盘查看法文、德文、西班牙文、日文、韩文或简体中文快速入门指南。

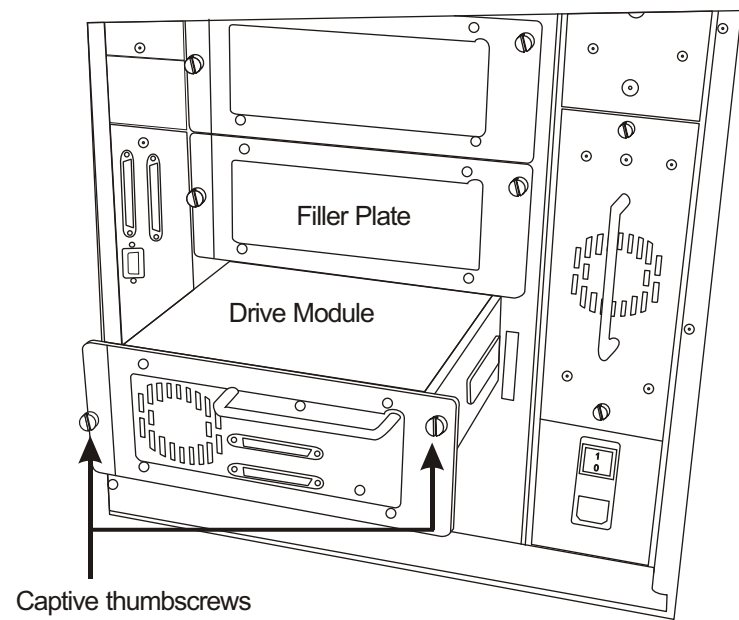
Part Number 2E741

62-2227-01 Rev B

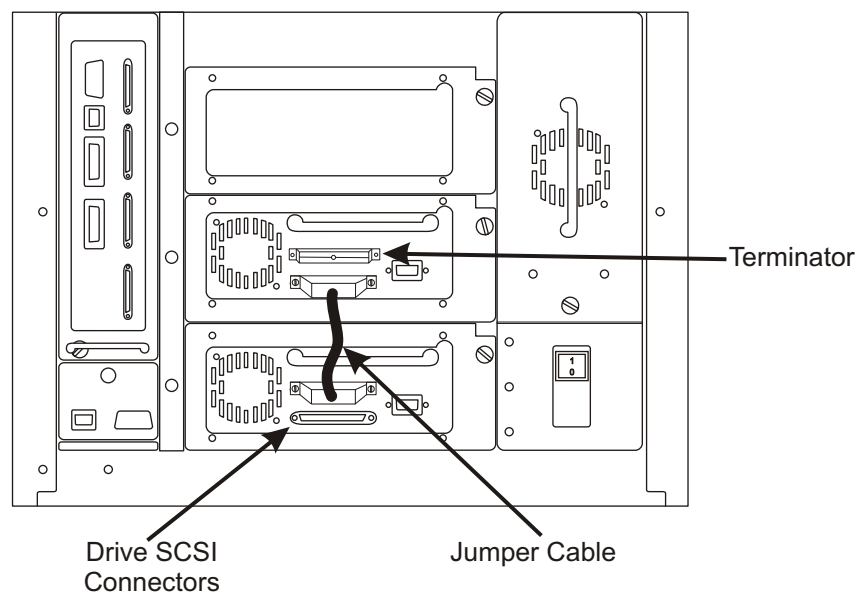


Prior to performing the steps below, it is assumed that the proper SCSI adapter is installed with all of the appropriate drivers.

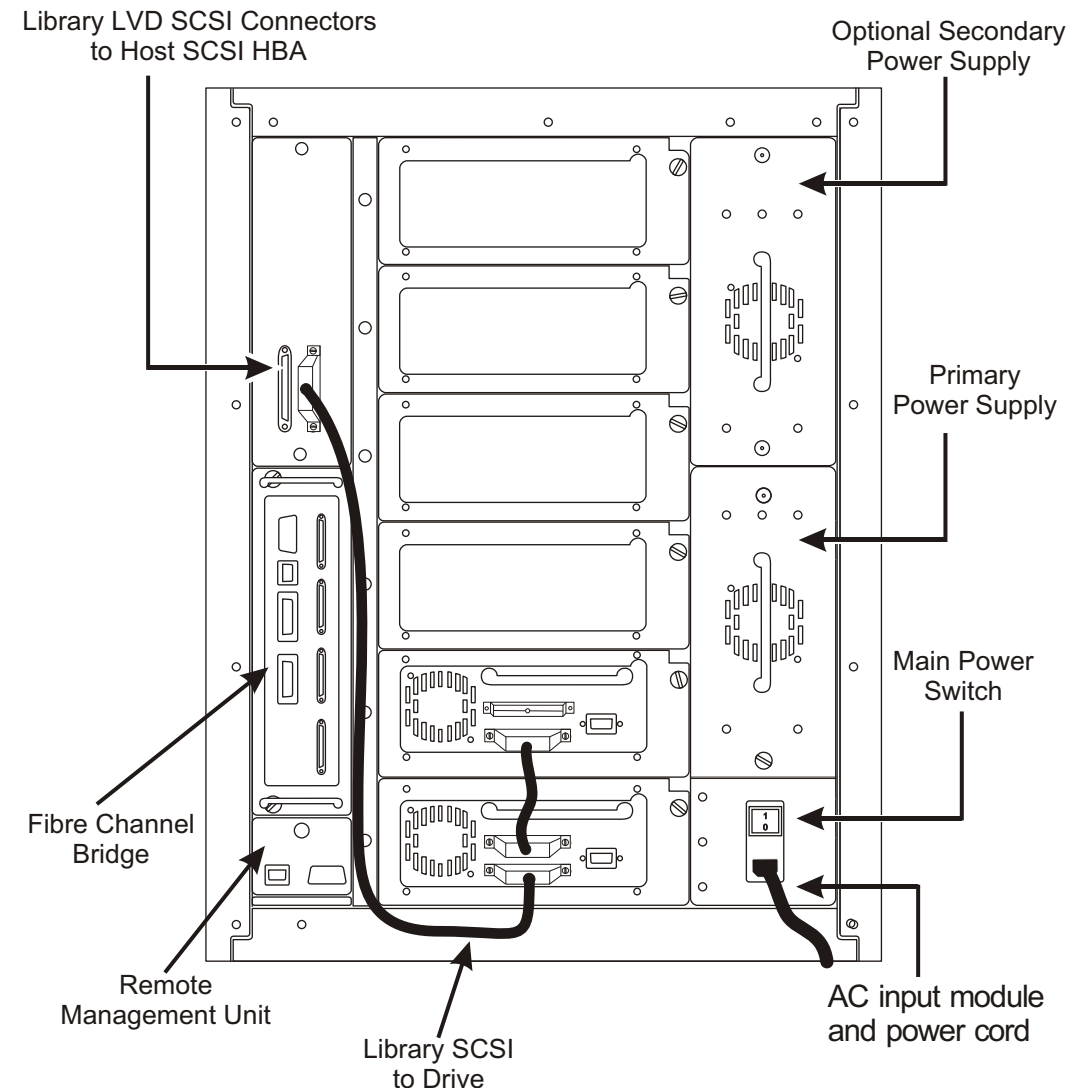
- 1 If your PowerVault 136T Library does not have factory installed drive(s), loosen thumbscrews on empty drive bay filler plate(s) and pull plate(s) from chassis.
- 2 Beginning with the bottom slot, install drive module(s) in empty drive bay(s).
- 3 Tighten thumbscrews on drive module(s).



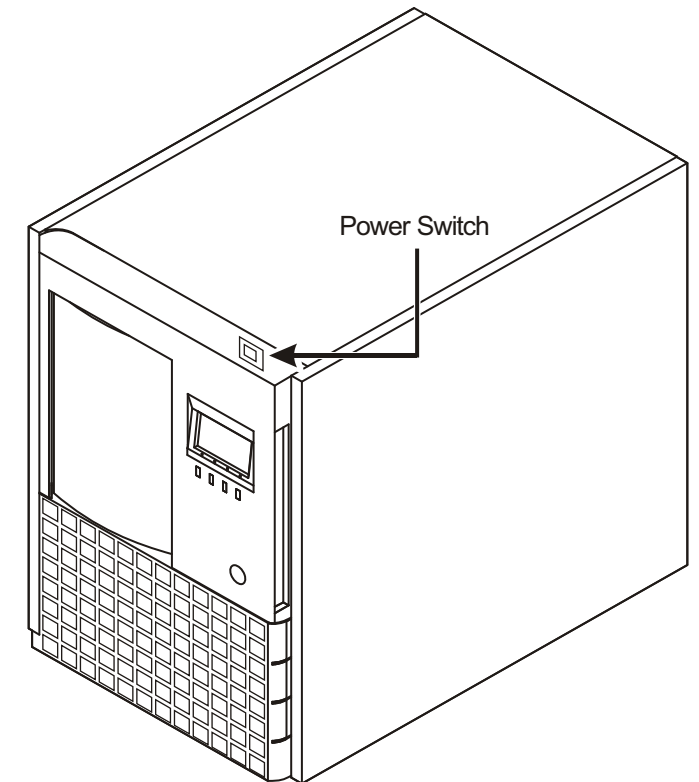
- 4 Connect the drive modules by inserting one end of a jumper cable into the top SCSI connector of the bottom drive, and the other end into the bottom SCSI connector of the top drive.
- 5 Install SCSI terminator on last device of SCSI chain.



- 6 Connect AC line cord to PowerVault 136T Library, then to AC outlet.
- 7 Install SCSI cables between the bottom drive and the library, and between the host HBA and library. If the Dell PowerVault 136T Fibre Channel Bridge is being used, refer to the Dell PowerVault 136T Fibre Channel Bridge User's Guide for cabling instructions.
- 8 Remove key from rear panel of PowerVault 136T Library. Unlock and open PowerVault 136T Library front door.
- 9 Remove interior packing or securing material from the library to allow the picker movement.
- 10 Install tape cartridges into magazines.
- 11 Close and lock front door.



- 12 Press main power switch on rear panel to ON position.
- 13 Press power switch on front panel to power up your PowerVault 136T Library.



- 14 Power up your Host computer and verify SCSI communication with all devices on bus.

Your PowerVault 136T Library is now ready to perform a backup or restore operation via your Host Computer and backup software.